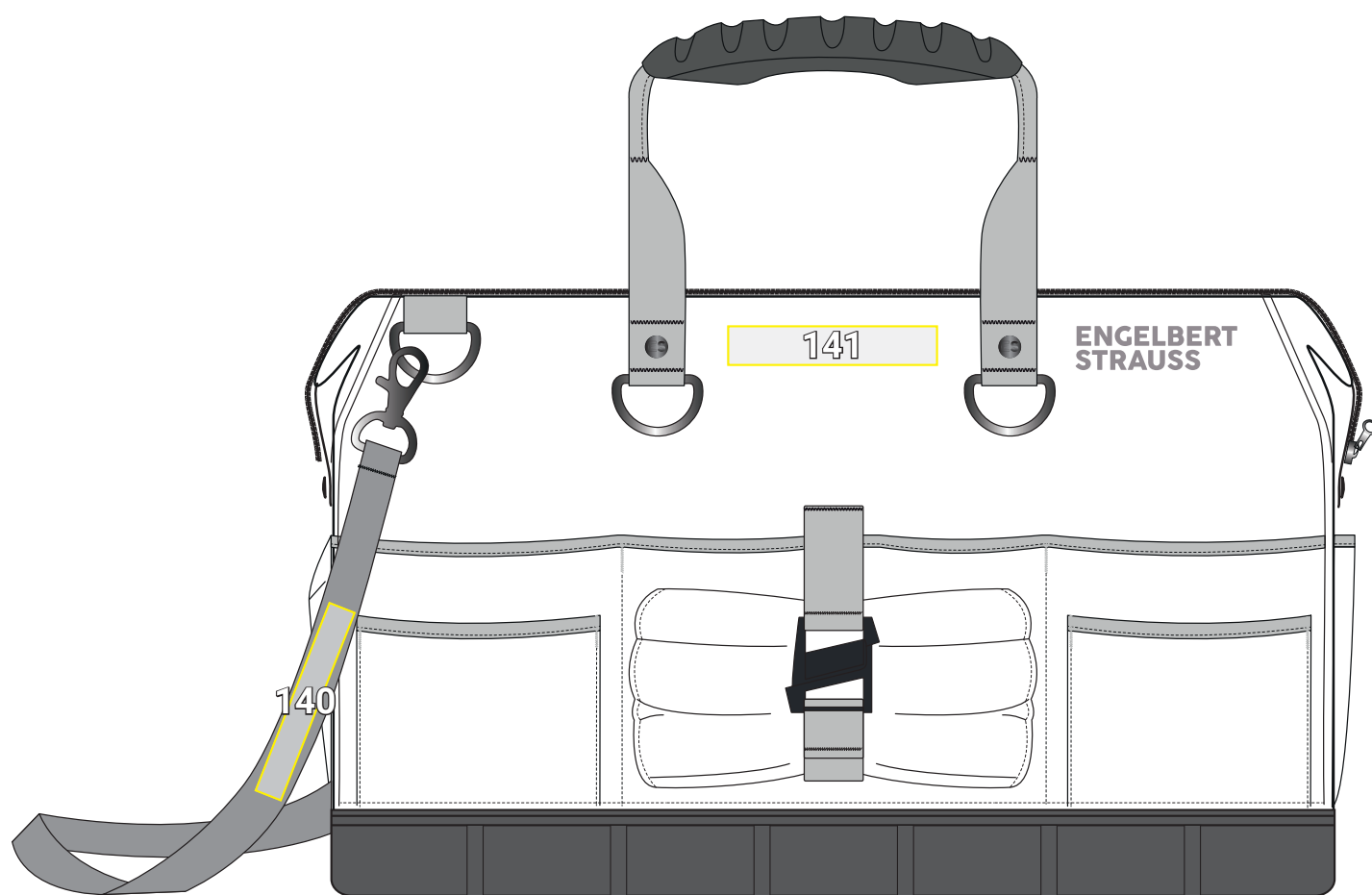


E.S. TOOL CARRIER BAG*



Placement proposal e.s. Tool carrier bag		Standard dimensions (width x height in cm)	
No.	Placement	Direct embroidery	Transfer print
140	Carrying strap	15 x 2	15 x 2
141	Central above the zipper pocket fastener	22 x 3	—

*Colour example/personalisation on all item colours is possible!
The illustration demonstrates an example.